

**FOOTPEG ASSEMBLY**

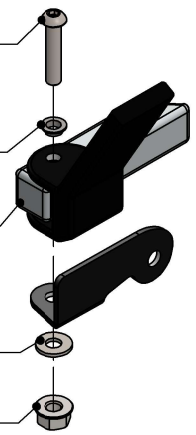
Allen screw  
M8X45 T.B.E.I. Z.B.  
Cod.206783

S.s.bushing  
Cod.206468

Original footpegs

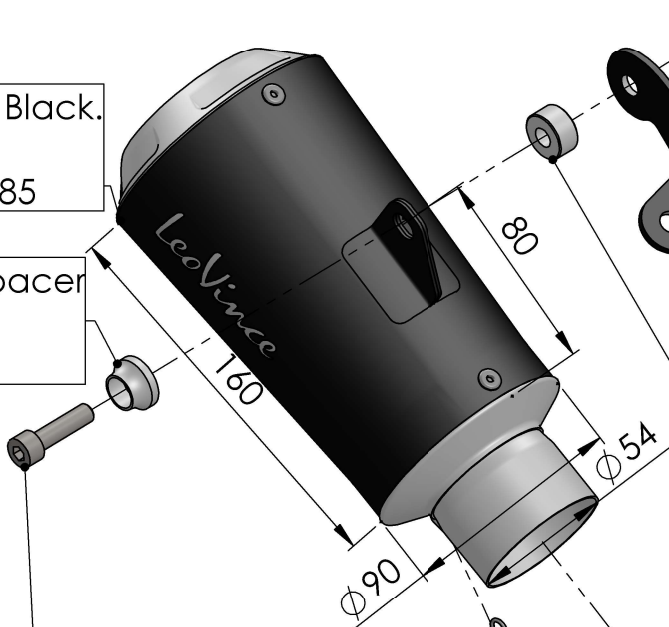
Plain washer  
Ø8x Ø17  
Cod.200294

Nut M8  
Cod.206718



LV10 silencer Black.  
Øi 54 RHS  
Cod.309746485

Aluminium spacer  
Ø27X8,5X11  
Cod. 204321



Knurled collar nut  
M8 Cod.200298

S.s. bracket  
Cod.3015225501

Aluminium spacer  
Ø20X8,5X10  
Cod. 200414

Allen screw M8X30  
T.C.E.I. Z.B.  
Cod.202491

Pipe N°1215  
Cod.3015225201

Short helical spring  
tensile  
Cod.303949001

Strap in stainless  
steel Ø53  
Cod.300053531

Carbon cover  
Cod.0814271001

2Allen screw  
M6X14  
T.B.E.I. Z.B.  
Cod.204643

4Graphite gasket  
Cod.206367

Mounting plate M6  
Cod.204664

2Plain washer  
Ø6,4 x Ø14  
Cod.205833

**ART. 15225B**

**SUZUKI GSX-S 1000 / GSX-S 1000 F**

**SLIP-ON - LV-10 - BLACK**